

First Aid

Avoid contact with eyes and skin. Do not swallow. In case of eye or skin contact, flush thoroughly with water. If swallowed, do not induce vomiting. Call physician immediately.

KEEP OUT OF REACH OF CHILDREN.

Warning

Cancer and Reproductive Harm
- www.P65Warnings.ca.gov

Limited Lifetime Warranty

Sashco warrants this product will substantially meet published specifications on the date of sale. If it fails to do so, return unused portion with original sales receipt for replacement or refund, at Sashco's sole option. These are purchaser's sole and exclusive remedies for any breach of warranty. Purchaser must determine suitability of product for purchaser's specific needs and assumes all risk associated with its use.

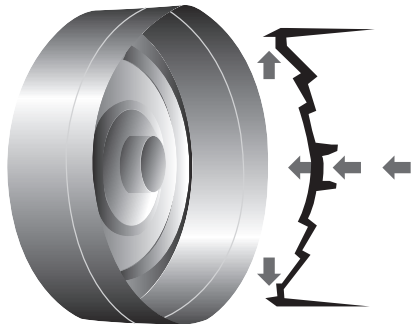
For a detailed description of the warranty and exclusions, please visit our website at sashco.com.

Alyster Plunger

10.5 OZ. Cartridges come with Sashco's unique Alyster plunger.

A flexible telescopic diaphragm not only stops material flow, it actually pulls material back into the nozzle!

- **Tight Seal** – Increases shelf life and minimizes leakage.
- **Stop Flow** – The flexible telescopic diaphragm assures that material flow will stop when caulk gun pressure is released.



Typical Properties

PROPERTY	VALUE
Color:	Beige, Gray, Charcoal, Ironstone, White
Packaging:	10.5 OZ. plastic cartridges
Joint Size:	Max 3" wide Note: Use appropriate size pre-caulking filler rope (backer rod) in any joint 1/2" deep or more.
Application Range:	40°F to 120°F (4°C to 49°C)
Service Range:	-30°F to 250°F (-34°C to 121°C)
Tensile Properties:	Recovery at 50% stretch: 100% recovery in 3 min Recovery at 100% stretch: 96% recovery in 5 min
VOC:	43.1 g/L, <1.5% by weight
Paintability:	With exterior latex paints after 4 hours (will take longer in cool, humid conditions). Allow 1 week drying time before applying oil-based paints, sealers, or stains. Some interior and exterior low-end, flat latex paints may crack over Mor-Flexx, so test in an inconspicuous area first.

PROPERTY	RESULTS	TEST METHOD
Hardness, Shore A:	29	ASTM C661
Slump:	1/16"	ASTM D2202
Solids:	76% by weight	ASTM C1250
Extrusion Rate:	750 g/min (1/8" orifice at 40 psi)	ASTM C603
Freeze-Thaw Stability:	Passes at least 5 cycles 0°F to 70°F (-18°C to 21°C)	ASTM C731
Low Temp. Flexibility:	Pass (not artificially weathered)	ASTM C734
Durability:	12.5% joint movement (10 cycles @ -15°F (-26°C))	ASTM D719
Tack-Free:	Skins over in less than 30 mins. Tack-free in 2-4 hours*	ASTM C679
Cured:	4-5 days*	
Adhesion-in-peel		
Passing Substrates Specifications*:	See "ADHERES TO" Section: ASTM C843-00 ASTM G53 QUV Accelerated Weathering: 4,000 hours ASTM D638 Max 250% ASTM C920 (Class 12.5)	ASTM C794

The data reported here is believed to be reliable. No warranty is made concerning its accuracy or the results obtained from its use.

*Dependent on temperature, humidity, and bead size/thickness.

Mor-Flexx®

Textured Like Mortar – Stretches Like Rubber



For use on:

- Stucco
- Stone and Faux stone
- Cinder blocks
- Vertical concrete
- Mortar in-between bricks & stone



10300 E. 107th Place
Brighton, CO 80601
800-767-5656

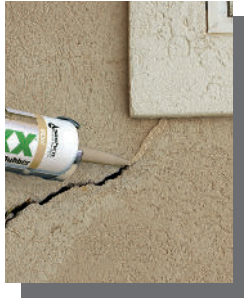
sashco.com

FLX 002 720
Keep up with Sashcoinc on:



Sealant for Textured Surfaces

It's scary. Your mortar cracks, your stucco streaks, your concrete leaks, and eek! What are you going to do? Replacement and repeated repairs are a waste of time and money. Use Mor-Flexx instead. This flexible caulk is textured to blend in with those textured surfaces and is paintable so you can get the right match. Plus, it stays elastic over time, so you don't have to worry about doing the same work over and over again. With Mor-Flexx, no one will know you had an unsightly crack, including you.



Why Use Mor-Flexx?

- Textured to match mortar, stucco and concrete
- Spans gaps up to 3" wide with no slump
- Elastomeric with powerful adhesion
- Stretches and stays flexible
- Won't pull away or crack
- Low VOC
- Paintable
- Water clean-up
- Freeze-thaw stable – OK to leave in your truck overnight

Where to Use

Use Mor-Flexx where a textured look is desired:

- Mortar between brick and stone
- Stucco edging
- EIFS (Exterior Insulation Finishing Systems)
- Architectural foam
- Composite board paneling or siding
- Concrete walls



Adheres to most building materials including:

(all conform to ASTM C794)

Metals:

- Aluminum
- Anodized Windows
- Steel
- Brass

Plastics:

- PVC
- Vinyl

Masonry :

- Mortar
- Stucco
- Concrete
- Stone
- Faux Stone
- Cinder Block

Other Surfaces:

- Fiber Cement
- Drywall
- Wood
- Tile

Where Not to Use

- On concrete less than 6 months old (the concrete is not fully cured)
- In areas of water submersion
- Where frequent or prolonged puddling occurs
- In areas of high foot or vehicle traffic (use Sashco's Slab® instead)
- In areas where hydrostatic resistance is required
- Will not adhere to or is incompatible with Kynar®, polypropylene, waxes, polyethylene, Aquaseal®, & silicone.

Kynar®, and Aquaseal® are registered trademarks of their respective owners.

Before you start:

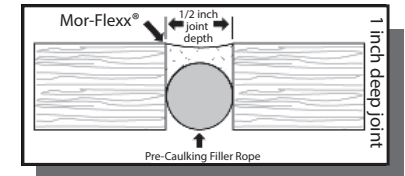
- Use on concrete, stone, faux stone, stucco and/or brick surfaces.
- Apply when surfaces are dry and surface temperature is between 40°F and 120°F. Wet surfaces and surface temps outside of the given range can prevent proper adhesion.
- Allow 1-3 days curing before exposure to direct rainfall. Use plastic sheeting with good airflow underneath to protect the product if rain is expected sooner. Mor-Flexx cures by evaporation. Lower temperatures and higher humidity will slow down cure time.

Applications Steps

Substrate/Surface Prep

• If dirt or oils are present, wash with any household cleaner, rinse to remove and allow to dry.

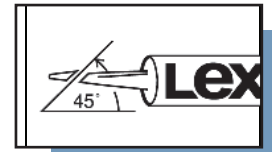
• Remove any old caulk and loose materials (crumbling stucco, brick, mortar, etc.). A wire brush is ideal for this. Use a shop vac or compressed air to clean away leftover debris.



• Joint design: Insert Sashco's Filler Rope™ (backer rod) into joints deeper than 1/4" to provide for proper sealant depth and a stronger, longer lasting seal. (refer to diagram for details).

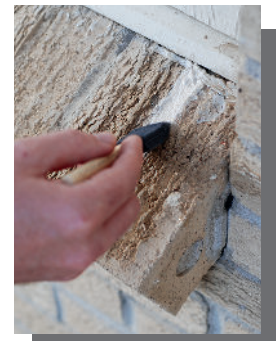
Applying Mor-Flexx

• Cut the nozzle at a 45° angle to your desired bead size.



• Using a caulking gun, lay down an even bead. At the end of each bead, hit the release with your thumb. Sashco's Alyster Plunger will suck product back into the tube, avoiding a mess and wasted product.

• Smooth the bead with water and a foam brush, or your finger. Press the product firmly against both sides of the joint for best performance.



Cleanup & Storage

Clean up any fresh product on surfaces and skin with soap and water. Tightly reseal cartridges with plastic wrap and a rubber band and store in moderate temperatures between 40°F and 90°F.